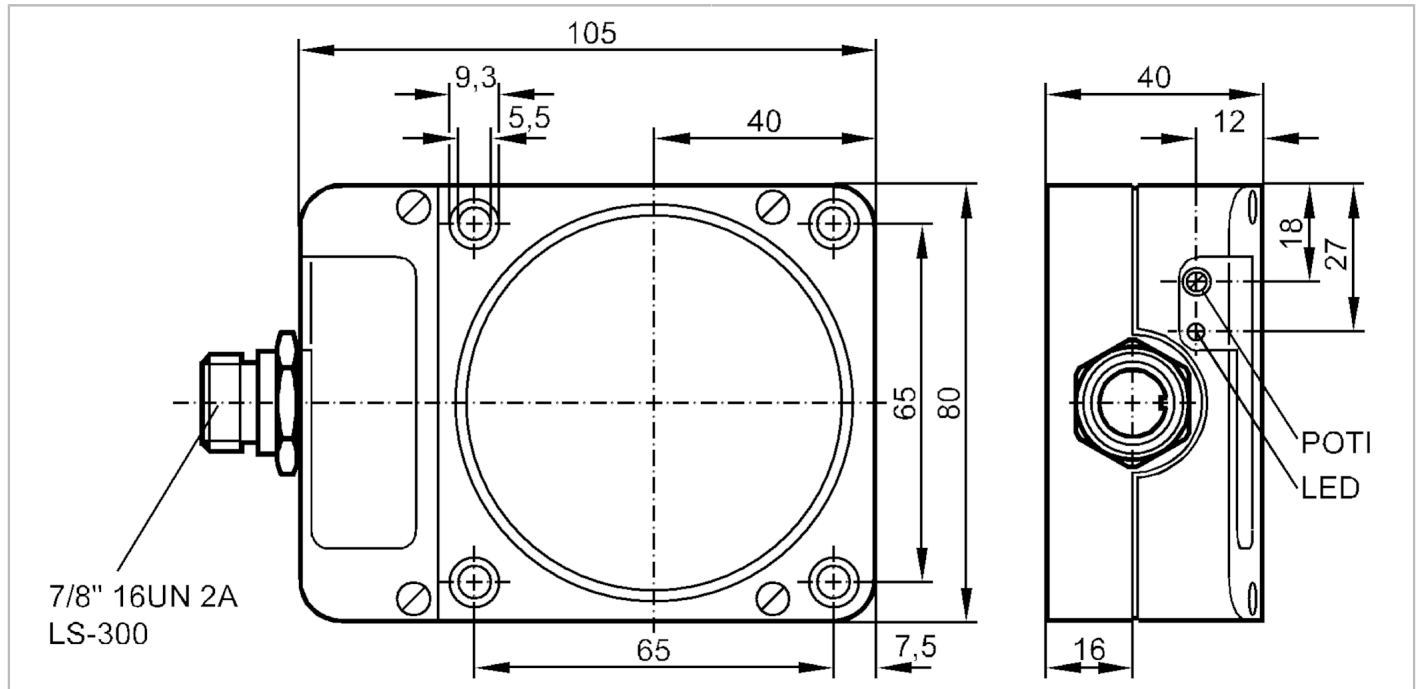


KD3500



Capacitive sensor

KDE2060-FBOA/NI/LS300L



Product characteristics

Output function		normally open / normally closed; (selectable)
Sensing range	[mm]	60
Housing		rectangular

Electrical data

Operating voltage	[V]	20...250 AC/DC
Protection class		II
Reverse polarity protection		no

Outputs

Output function		normally open / normally closed; (selectable)
Max. voltage drop switching output DC	[V]	8.5
Max. voltage drop switching output AC	[V]	8.5
Minimum load current	[mA]	5
Max. leakage current	[mA]	2.5 (250 V AC) / 1.3 (110 V AC) / 0.8 (24 V DC)
Permanent current rating of switching output AC	[mA]	200; (250 (...50 °C))
Permanent current rating of switching output DC	[mA]	100
Short-time current rating of switching output	[mA]	2200; (20 ms / 0,5 Hz)
Switching frequency AC	[Hz]	10
Switching frequency DC	[Hz]	10
Short-circuit proof		no
Overload protection		no

KD3500



Capacitive sensor

KDE2060-FBOA/NI/LS300L

Detection zone		
Sensing range	[mm]	60
Sensing range adjustable		yes
Factory setting sensing range	[mm]	60
Real sensing range Sr	[mm]	60 ± 10 %
Operating distance	[mm]	0...48.6

Accuracy / deviations		
Correction factor		glass: 0.4 / water: 1 / ceramics: 0.2 / PVC: 0.2
Hysteresis	[% of Sr]	1...15
Switch point drift	[% of Sr]	-15...15

Operating conditions		
Ambient temperature	[°C]	-25...80
Protection		IP 65
Increased immunity		yes; (increased immunity to conducted radio frequency interference)

Tests / approvals		
EMC		EN 60947-5-2

Mechanical data		
Weight	[g]	335.658
Housing		rectangular
Mounting		non-flush mountable
Materials		PPE

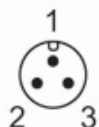
Displays / operating elements		
Display	switching status	1 x LED, red

Accessories		
Accessories (supplied)		screwdriver: 1

Remarks		
Pack quantity		1 pcs.

Electrical connection - plug

Connector: 1 x 7/8"



KD3500



Capacitive sensor

KDE2060-FBOA/NI/LS300L

